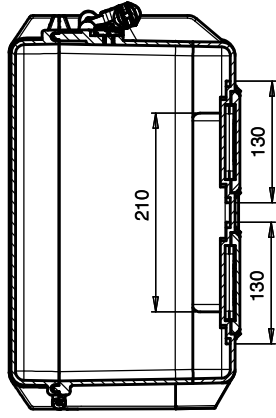


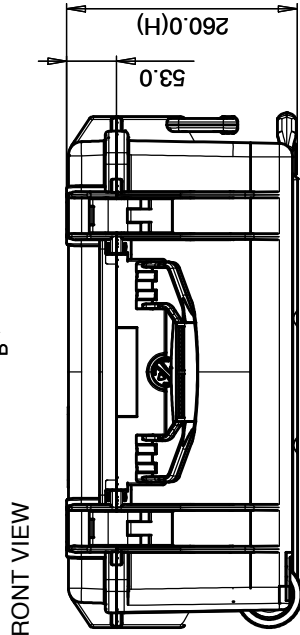
SEZ A-A

SEZ B-B

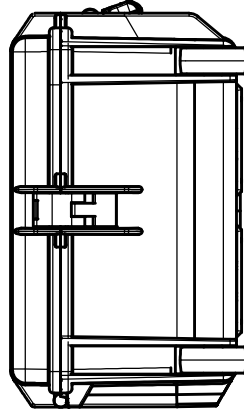
Model No. :	HPRC2600W
Case Weight (lbs. Empty)	6.05 Kg (13.34 lbs)
Interior Length	484.0 mm (19.05 in)
Interior Width	360.0 mm (14.17 in)
Interior Height (overall)	218.0 mm (8.58 in)
Interior Lid Height	46.0 mm (1.81 in)
Exterior Length (L)	550.0 mm (21.65 in)
Exterior Width (W)	420.0 mm (16.53 in)
Exterior Height (H)	260.0 mm (10.24 in)
Exterior Lid Height	53.0 mm (2.08 in)
Buoyancy	25.90 Kg (57.09 lbs)



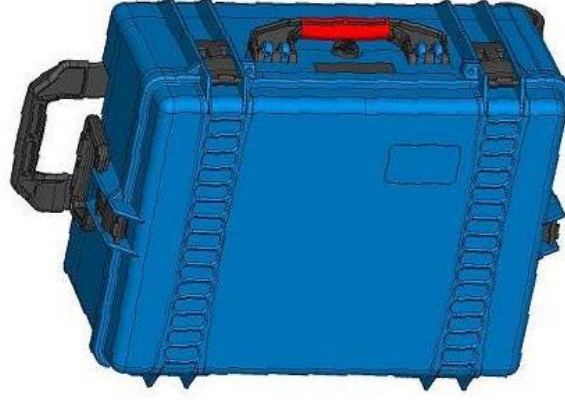
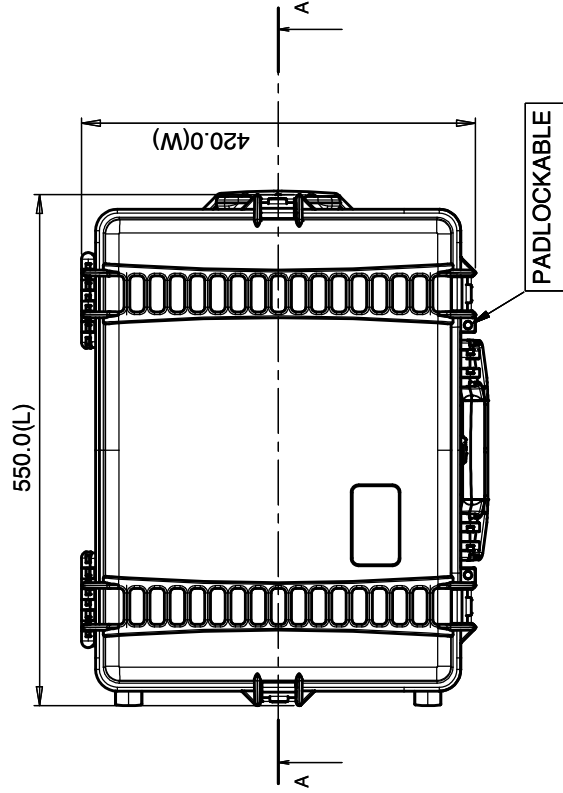
FRONT VIEW



RIGHT SIDE VIEW



TOP VIEW



Rev. 01

HIGH PERFORMANCE
RESIN CASES

Scala :

Model No.:

HPRC2600W

Plaber S.r.l reserves the right to modify its products at any time and without notice , in order to better their quality and functionality. Therefore, all the information given in this datasheet is to be considered indicative and subject to possible modifications. For colours, interiors and accessories, see literature HPRC.

