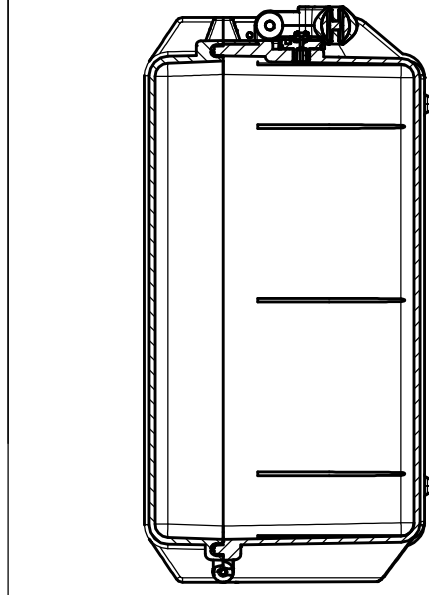
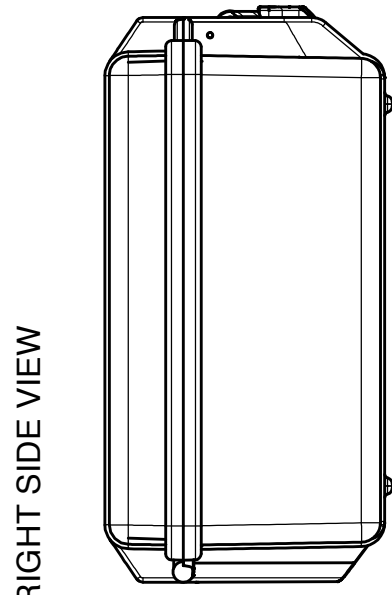


Model No. :	HPRC2500
Case Weight (lbs. Empty)	3.15 Kg (6.95 lbs)
Interior Length	450.0 mm (17.72 in)
Interior Width	320.0 mm (12.60 in)
Interior Height (overall)	175.0 mm (6.89 in)
Interior Lid Height	46.0 mm (1.81 in)
Exterior Length (L)	480.0 mm (18.90 in)
Exterior Width (W)	385.0 mm (15.16 in)
Exterior Height (H)	190.0 mm (7.48 in)
Exterior Lid Height	53.0 mm (2.08 in)
Buoyancy	17.00 Kg (37.47 lbs)

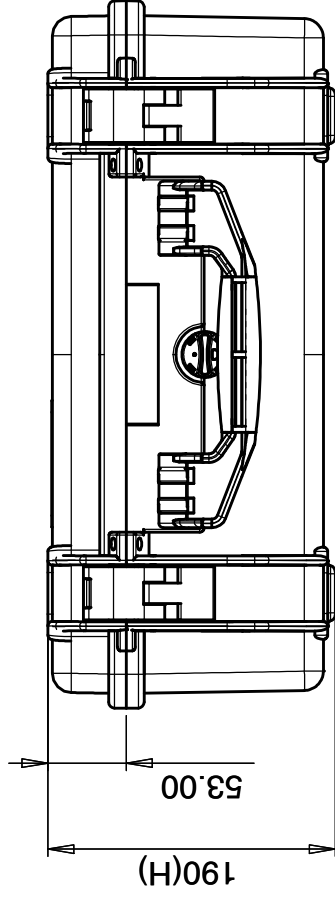


SEZ B-B

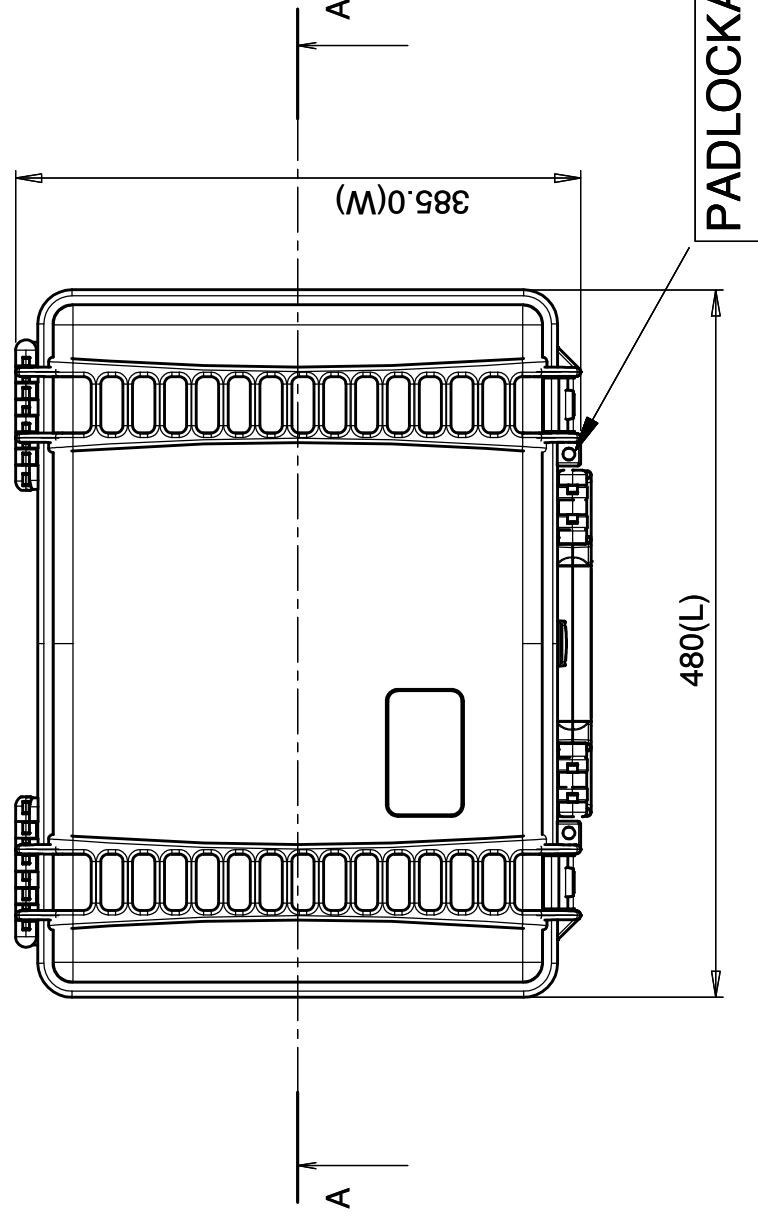
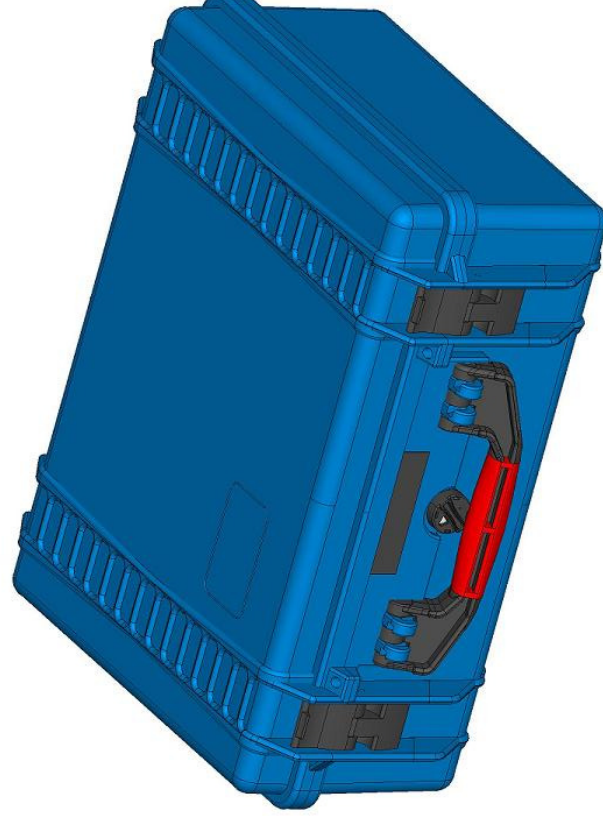
FRONT VIEW



RIGHT SIDE VIEW



TOP VIEW



Rev. 01

HIGH PERFORMANCE
RESIN CASES

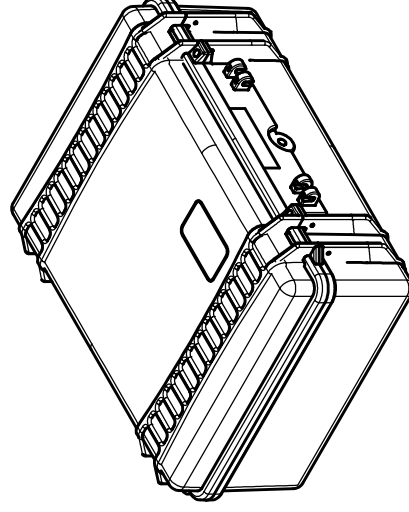
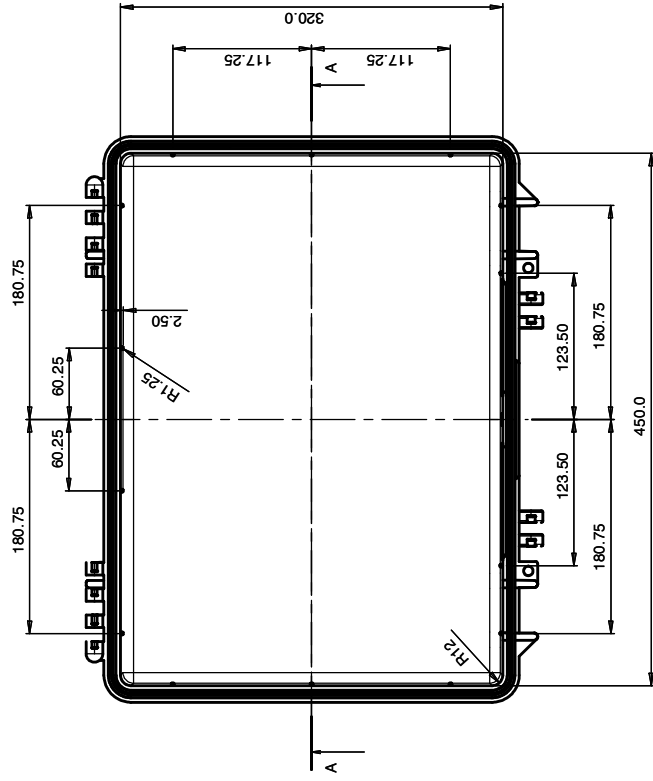
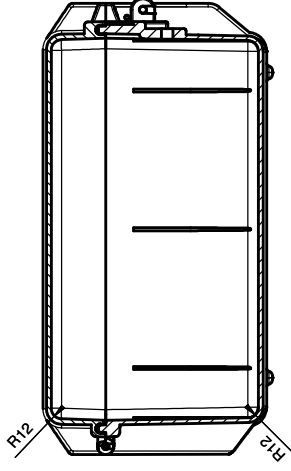
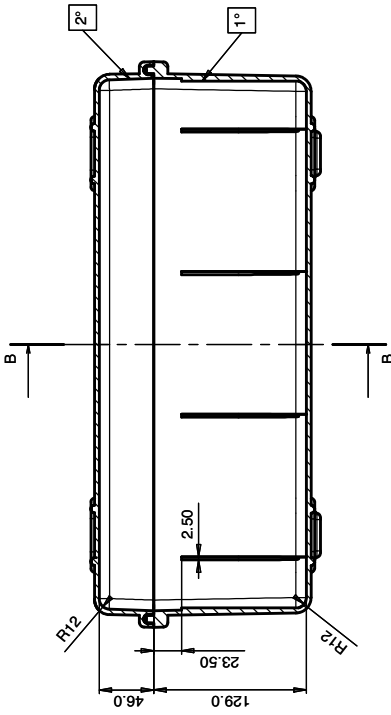


Scala :

Model No.:

HPRC2500

Plaber S.r.l reserves the right to modify its products at any time and without notice , in order to better their quality and functionality. Therefore, all the information given in this datasheet is to be considered indicative and subject to possible modifications. For colours, interiors and accessories, see literature HPRC.



Rev. 01
HIGH PERFORMANCE
RESIN CASES



Scale: 1:2

Model No.: Interno HPRC2500

Piiber S.r.l reserves the right to modify its products at any time and without notice, in order to better their quality and functionality. Therefore, all the information given in this datasheet is to be considered indicative and subject to possible modifications.