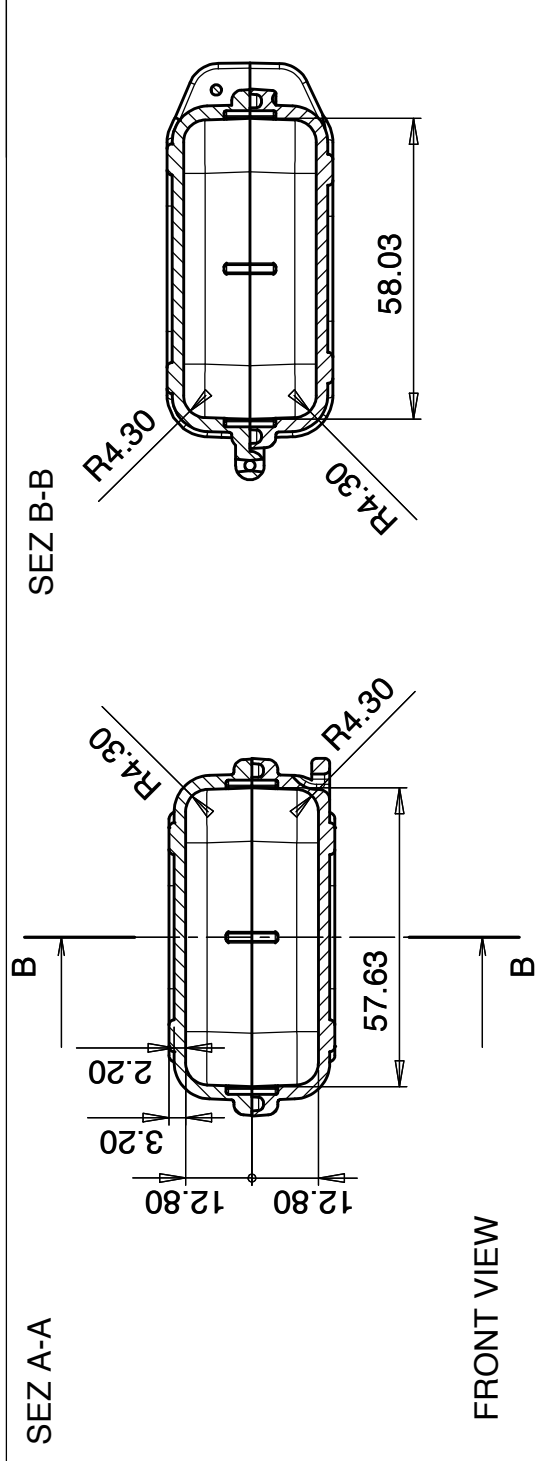
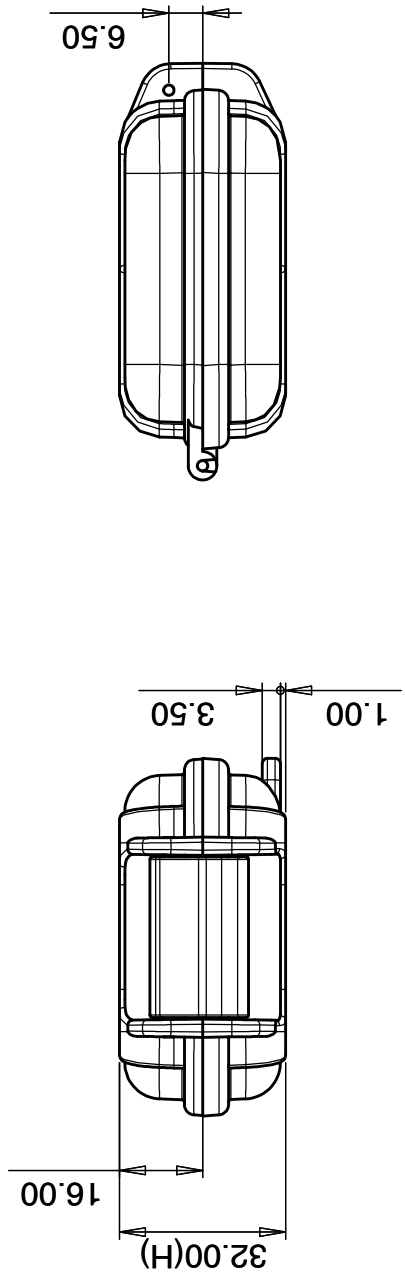


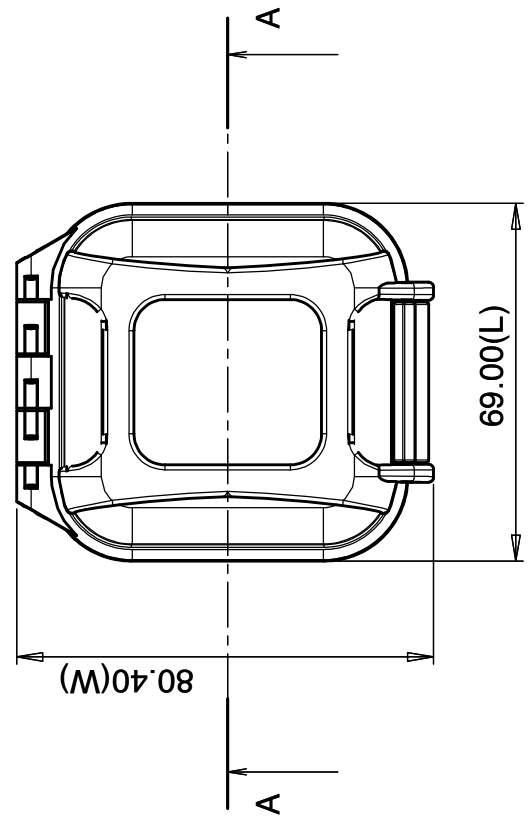
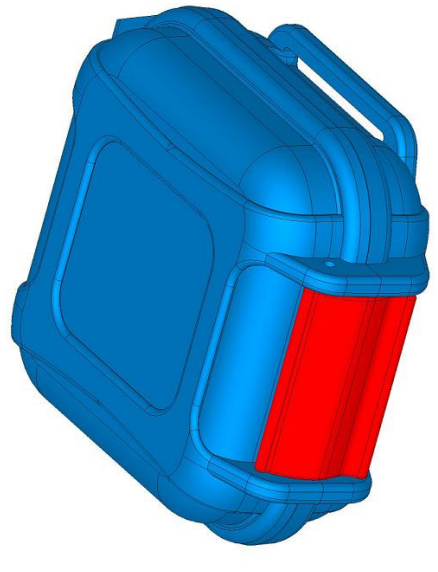
Model No. :	HPRC1100
Case Weight (Empty)	0.40 Kg (0.88 lbs)
Interior Length	58.00 mm (2.28 in)
Interior Width	57.00 mm (2.26 in)
Interior Height (overall)	25.00 mm (1.00 in)
Interior Lid Height	12.80 mm (0.50 in)
Exterior Length (L)	80.00 mm (3.16 in)
Exterior Width (W)	69.00 mm (2.71 in)
Exterior Height (H)	32.00 mm (1.25 in)
Exterior Lid Height	16.00 mm (0.62 in)
Buoyancy	0.20 Kg (0.44 lbs)



FRONT VIEW



TOP VIEW



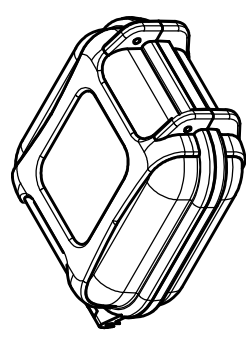
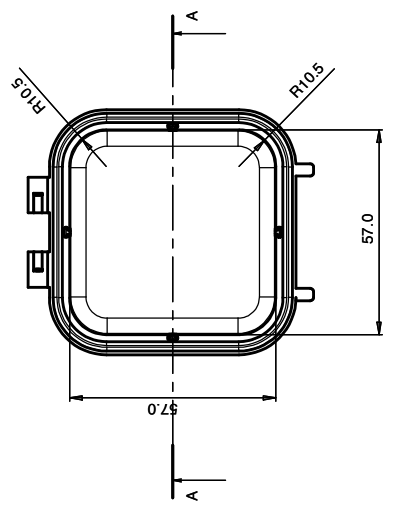
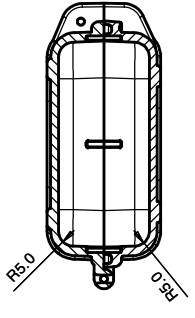
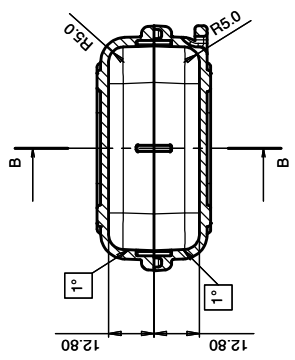
REV. 01

HIGH PERFORMANCE
RESIN CASES



Scala :	Model No: HPRC1100
---------	--------------------

Plaber S.r.l reserves the right to modify its products at any time and without notice , in order to better their quality and functionality. Therefore, all the information given in this datasheet is to be considered indicative and subject to possible modifications. For colours and accessories, see literature HPRC.



Rev. 01
HIGH PERFORMANCE
RESIN CASES



Model No: Interno HPRC1100
Scala: 1:1

Piiber S.r.l reserves the right to modify its products at any time and without notice, in order to better their quality and functionality. Therefore, all the information given in this datasheet is to be considered indicative and subject to possible modifications.